

PLAT NO. 65 MONARCH COUNTRY CLUB PARCEL 13A MARTIN DOWNS P.U.D.

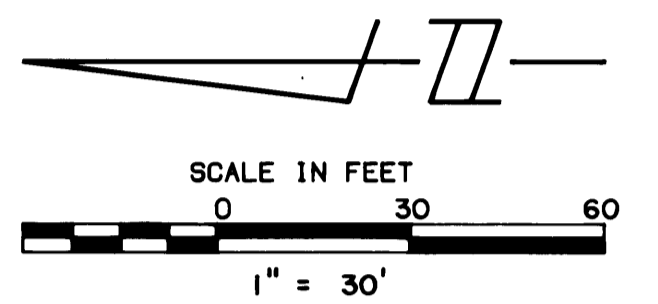
LYING IN SECTION 18, TOWNSHIP 38 SOUTH, RANGE 41 EAST
MARTIN COUNTY, FLORIDA

Plat Book 13 Page 47
Filed 2-14-94
File # 1045484
MADEIRA STILLE
CLERK of CIRCUIT COURT
By Charlotte Buckley

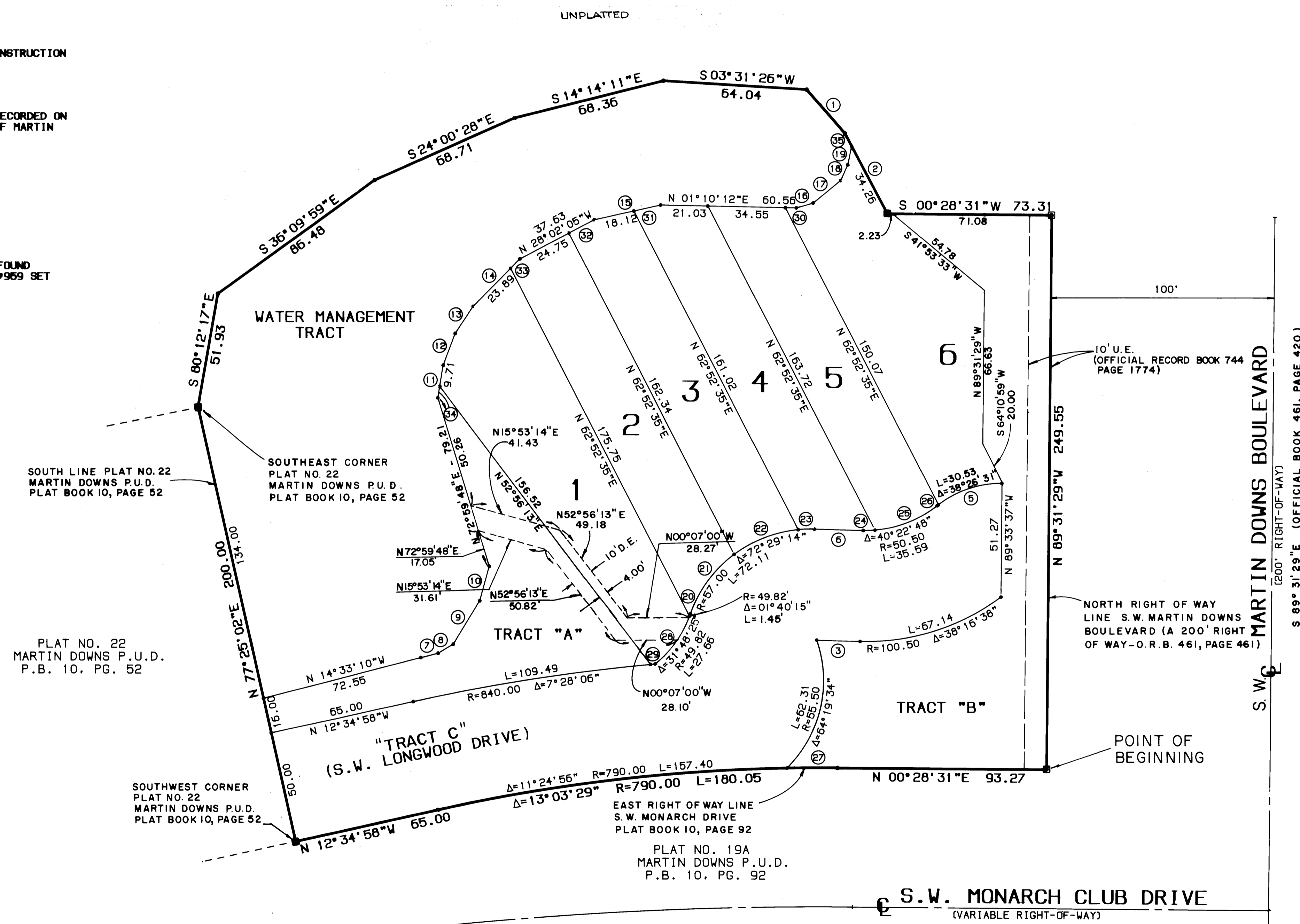
NOTES:
THERE SHALL BE NO BUILDINGS OR ANY OTHER KIND OF CONSTRUCTION OR TREES OR SHRUBS PLACED ON DRAINAGE EASEMENTS.

THERE MAY BE ADDITIONAL RESTRICTIONS THAT ARE NOT RECORDED ON THIS PLAT THAT MAY BE FOUND IN THE PUBLIC RECORDS OF MARTIN COUNTY, FLORIDA.

LEGEND:
□ - DENOTES P.R.M. (PERMANENT REFERENCE MONUMENT) FOUND
■ - DENOTES P.R.M. (PERMANENT REFERENCE MONUMENT) #959 SET
P.B. - DENOTES PLAT BOOK
PG. - DENOTES PAGE
MD - DENOTES MEASURE
D - DENOTES DEED
--- - DENOTES CENTERLINE
U.E. - DENOTES UTILITY EASEMENT
D.E. - DENOTES DRAINAGE EASEMENT



Δ	DELTA/BEARING	RADIUS	LEN./DIST.	TANGENT
1	S 49° 10' 33" W		26.08	
2	S 62° 06' 55" W		40.75	
3	N 01° 30' 09" E		19.34	
4				
5	39° 15' 41"	45.50	31.18	16.23
6	N 01° 30' 09" E		21.74	
7	N 14° 19' 41" W		8.00	
8	N 30° 44' 24" W		7.85	
9	N 58° 38' 11" W		22.84	
10	N 74° 34' 51" W		16.09	
11	N 80° 48' 16" W		14.86	
12	N 69° 27' 00" W		15.28	
13	N 56° 40' 35" W		14.69	
14	N 45° 37' 22" W		29.87	
15	N 12° 32' 39" W		30.43	
16	N 16° 06' 19" W		7.82	
17	N 39° 41' 57" W		15.86	
18	N 65° 44' 42" W		7.82	
19	N 78° 30' 29" W		8.45	
20	1° 03' 57"	49.82	0.93	0.46
21	34° 00' 43"	57.00	33.84	17.43
22	31° 06' 39"	57.00	30.95	15.87
23	7° 21' 52"	57.00	7.33	3.67
24	5° 55' 05"	50.50	5.22	2.61
25	34° 27' 43"	50.50	30.37	15.66
26	0° 49' 10"	45.50	0.65	0.33
27	1° 38' 33"	790.00	22.65	11.32
28	30° 44' 28"	49.82	26.73	13.69
29	0° 08' 54"	840.00	2.17	1.09
30	N 01° 10' 12" E		4.98	
31	N 12° 32' 39" W		12.30	
32	N 28° 02' 05" W		12.88	
33	N 45° 37' 22" W		5.98	
34	N 80° 48' 16" W		5.16	
35	N 62° 06' 55" E		6.49	

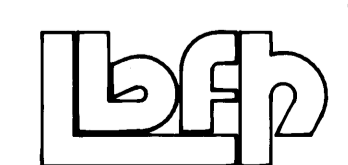


SOUTH LINE PLAT NO. 22
MARTIN DOWNS P.U.D.
PLAT BOOK 10, PAGE 52

SOUTHWEST CORNER
PLAT NO. 22
MARTIN DOWNS P.U.D.
PLAT BOOK 10, PAGE 52

PLAT NO. 22
MARTIN DOWNS P.U.D.
P.B. 10, PG. 52

BEARING BASE:
THE CENTERLINE S.W. MARTIN DOWNS BOULEVARD IS TAKEN TO BEAR S 89° 31' 29" E AND ALL OTHER BEARINGS SHOWN HEREON ARE RELATIVE THERETO.



LINDAHL, BROWNING, FERRARI & HELLSTROM, INC.
CONSULTING ENGINEERS, PLANNERS & SURVEYORS
BLDG. 5000, SUITE 104 10 CENTRAL PARKWAY 2222 COLONIAL ROAD
210 JUPITER LANE BLVD. SUITE 420 SUITE 201
JUPITER, FL. 33458 STUART, FL. 34997 FT. PIERCE, FL. 34980
407-746-9848 407-286-3683 407-481-2460